

ACB 500 kg – 5 000 kg

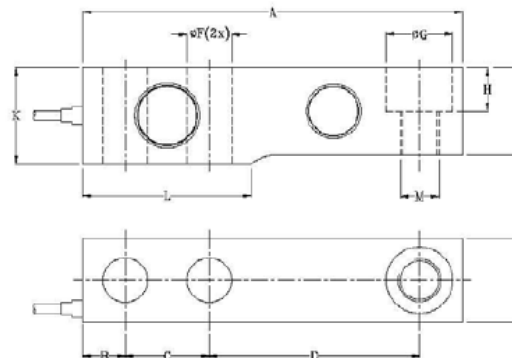
ACB: SPECIFICATIONS

| Capacity | E_{max} | kg | 500 ^{±2} , 1000, 2000, 5000 | | | |
|--|-----------------|--------------------------|--------------------------------------|--|-----------------|-----------------|
| Accuracy Class According to OIML R60 ² | | | C3 | C4 | C5 | C6 |
| Maximum Number of Verification Intervals | n_{v-} | | 3000 | 4000 | 5000 | 6000 |
| Minimum Verification Interval ($V_{min} = E_{max}/n_{v-}$) | V_{min} | | $E_{max}/6000$ | $E_{max}/6000$ | $E_{max}/10000$ | $E_{max}/12000$ |
| Minimum Verification Interval, Type MR ³ | V_{min} | | $E_{max}/15000$ | $E_{max}/20000$ | $E_{max}/20000$ | $E_{max}/20000$ |
| Accuracy Class According to Type Designation ¹ | | CC | C3 | C4 | C5 | C6 |
| Combined Error | | %S | ± 0.050 | ± 0.023 | ± 0.018 | ± 0.014 |
| Hysteresis | | %S | ± 0.050 | ± 0.017 | ± 0.013 | ± 0.010 |
| Non-Repeatability | E_R | %S | ± 0.070 | ± 0.035 | ± 0.026 | ± 0.021 |
| Creep Error (30 Minutes) | | %S | ± 0.060 | ± 0.025 | ± 0.018 | ± 0.015 |
| Creep Error (20-30 Minutes) | | %S | ± 0.0200 | ± 0.0053 | ± 0.0039 | ± 0.0032 |
| Minimum Dead Load Output Return | MDLOR | %S | ± 0.050 | ± 0.017 | ± 0.013 | ± 0.010 |
| Minimum Dead Load Output Return, Type MI6 | MDLOR | %S _{MDLOR} | | ± 0.008 | ± 0.008 | ± 0.008 |
| Temp. Effect on Min. Dead Load Output | TC ₀ | %S _{MDLOR} /5°C | ± 0.0250 | ± 0.0117 | ± 0.0088 | ± 0.0070 |
| Temp. Effect on Min. Dead Load Output, Type MR ³ | TC ₀ | %S _{MDLOR} /5°C | | ± 0.0047 | ± 0.0035 | ± 0.0035 |
| Temperature Effect on Sensitivity | TC _S | %S/5°C | ± 0.0250 | ± 0.0088 | ± 0.0065 | ± 0.0053 |
| Minimum Deadload | E_{min} | %E _{max} | | 0 | | |
| Safe Load Limit | E_{lim} | %E _{max} | | 150 | | |
| Ultimate Load | E_{ult} | %E _{max} | | 300 | | |
| Maximum Safe Sideload | | %E _{max} | | 100 | | |
| Deflection at E_{max} | | mm | | 0.13, 0.21, 0.29, 0.38 | | |
| Excitation Voltage | | V | | 5 ... 12 | | |
| Maximum Excitation Voltage | | V | | 15 | | |
| Rated Output | S_{nom} | mV/V | | 2 ± 0.02 | | |
| Current Calibration | SC-version | | | Standard | | |
| Zero Balance | | %S _{nom} | | ± 1.0 | | |
| Input Resistance | R_{in} | Ω | | 1000 ± 50 | | |
| Output Resistance | R_{out} | Ω | | 1000 ± 10 | | |
| Insulation Resistance | R_{ins} | MΩ | | ≥ 5000 | | |
| Compensated Temperature Range | T_{cms} | °C | | -10 ... +40 | | |
| Operating Temperature Range | T_{op} | °C | | -40 ... +80 | | |
| Storage Temperature Range | T_{stg} | °C | | -40 ... +90 | | |
| Element Material | | | | Stainless steel 1.4542 | | |
| Sealing (DIN 40.050 / EN 60.529) | | | | IP66 and IP68 | | |
| Recommended Torque on Fixation Bolts | | Nm | | 150 | | |
| ATEX options for Potentially Explosive Atmospheres | | | | IIIG EEx ia IIC T4/T6 or IIID T70°C, IIIG EEx nA II T6, IM1 Eex ia I, II3D T70°C | | |

- The specified accuracies apply for the compensated temperature range.
- Capacities 1, 2 and 5t are OIML R60 C6 approved, 500kg C3 approved
- For version 500kg-C3MR: $V_{min} = E_{max}/20000$ and $TC_0 = ± 0.0035$

SC-version: The rated output and the output resistance are balanced in such a way, that the output current is calibrated to within 0.05% of a reference value. This allows easy parallel connection of the load cells.

Correct mounting of the load cells is essential to ensure optimum performance. Further information is available on request.



| E_{max} (kg) | Dimensions in mm | | | |
|----------------|------------------|-------|-------|-------|
| | 500 | 1000 | 2000 | 5000 |
| A | 130.0 | 130.0 | 130.0 | 172.0 |
| B | 15.5 | 15.5 | 15.5 | 19.1 |
| C | 25.4 | 25.4 | 25.4 | 38.1 |
| D | 76.2 | 76.2 | 76.2 | 95.3 |
| E | 31.8 | 31.8 | 31.8 | 38.0 |
| F | 13.0 | 13.0 | 13.0 | 20.5 |
| G | 20.5 | 20.5 | 20.5 | 30.2 |
| H | 14.2 | 14.2 | 14.2 | 20.0 |
| J | 26.0 | 27.95 | 31.95 | 40.0 |
| K | 31.8 | 31.8 | 35.8 | 44.0 |
| L | 57.1 | 57.1 | 57.1 | 76.2 |
| M | M12 | M12 | M12 | M20 |

All dimension tolerances according to ISO2768m, unless otherwise specified.

Cable specifications:

Length 3m for capacities up to 1t.
Length 6m for 2t and 5t.
6-Wire cable standard.

| | |
|--------------|-------------|
| Excitation + | Green |
| Excitation - | Black |
| Output + | White |
| Output - | Red |
| Sense + | Yellow |
| Sense - | Blue |
| Shield | Transparent |



Tallbergs Våg & Maskinservice AB
Carl Lidén vågservice
Org. nr. 556260-5302
Godsgatan 5
S-256 64 Helsingborg, Godsgatan 5

Telefon: +46 (0)42-158915
Lars: +46(0)706-898915
Philip: +46(0)707-158901

Epost: info@tallbergs.se
lars@tallbergs.se
philip@tallbergs.se

www.tallbergs.se

www.carlliden.com