

Hängvåg HTS



1. Technical specifications

1.1 Small construction

KERN	HTS150K 50IP	HTS300K 100IP	HTS600K 200IP	HTS1.5T 0.5IP
<i>Readability (d)</i>	50 g	100 g	200 g	500 g
<i>Weighing range (Max)</i>	150 kg	300 kg	600 kg	1,500 kg
<i>Taring range (subtractive)</i>	150 kg	300 kg	600 kg	1,500 kg
<i>Reproductability</i>	50 g	100 g	200 g	500g
<i>Linearity</i>	± 100 g	± 200 g	± 400 g	± 1,000g
<i>Verifiable</i>	no	no	no	no
<i>Filters</i>	Selectable: disabled, low, medium or high			
<i>Units</i>	Switchable: lb, kg			
<i>Display</i>	Luminosity, 5 settings, 25mm high numeric LED for weight value 9 LEDs to display the status of the crane scale Luminosity may be adjusted in the user menu			
<i>Housing</i>	IP65 silver painted cast aluminium alloy galvanized hook and shackle			
<i>Power</i>	6V 7Ah rechargeable lead acid battery P65 approx. 300 loading cycles battery charger included: 6.5 V / 0.8			
<i>Operating time</i>	Max. 150 hours between charging			
<i>Working temperature</i>	-10 to +50 °C			
<i>Storage temperature</i>	-30 to +60 °)			
<i>Relative humidity</i>	10 to 95%, non-condensing			
<i>Weight (net)</i>	14 kg			
<i>Casing W x D x H</i>	200 x 204 x 160 without hooks			
<i>Battery charger</i>	Serially			
<i>Remote control</i>	Serially	<i>Power supply</i>	• 2 AA alkaline batteries	
		<i>Battery change</i>	• After approximately 6 months	

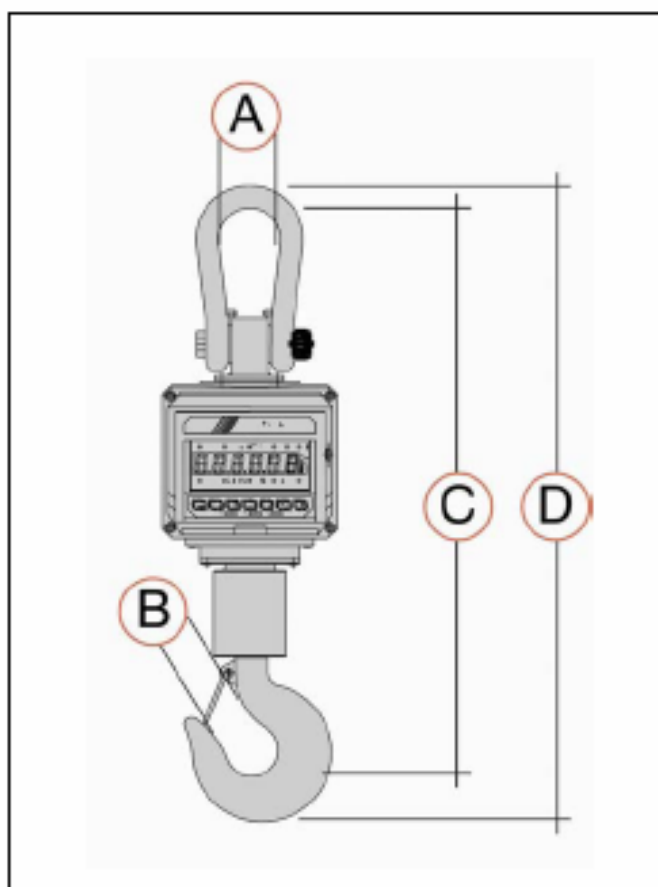
KERN	HTS150K 50IPM	HTS300K 100IPM	HTS600K 200IPM	HTS1.5T 0.5IPM
Readability (d)	50 g	100 g	200 g	500 g
Weighing range (Max)	150 kg	300 kg	600 kg	1,500 kg
Taring range (subtractive)	150 kg	300 kg	600 kg	1,500 kg
Reproductability	50 g	100 g	200 g	500g
Linearity	± 100 g	± 200 g	± 400 g	± 1,000g
Verifiable	yes	yes	yes	yes
Verification value (e)	50 g	100 g	200 g	500 g
Min. charge (Min = 20 d)	1 kg	2 kg	4 kg	10 kg
Accuracy category	III	III	III	III
Filters	Selectable: disabled, low, medium or high			
Units	Switchable: lb, kg			
Display	Luminosity, 5 settings, 25mm high numeric LED for weight value 9 LEDs to display the status of the crane scale Luminosity may be adjusted in the user menu			
Housing	IP65 silver painted cast aluminium alloy galvanized hook and shackle			
Power	6V 7Ah rechargeable lead acid battery P65 approx. 300 loading cycles battery charger included: 6.5 V / 0.8			
Operating time	Max. 150 hours between charging			
Working temperature	-10 to +40 °C			
Storage temperature	-30 to +60 °C			
Relative humidity	10 to 95%, non-condensing			
Weight (net)	14 kg			
Casing W x D x H	200 x 204 x 160 without hooks			
Battery charger	Serially			
Remote control	Serially	Power supply	• 2 AA alkaline batteries	
		Battery change	• After approximately 6 months	

1.2 Large construction

KERN	HTS3T1IP	HTS6T2IP	HTS10T5IP
Readability (d)	1,000 g	2,000 g	5,000 g
Weighing range (Max)	3,000 kg	6,000 kg	10,000 kg
Taring range (subtractive)	3,000 kg	6,000 kg	7,500 kg
Reproductability	1,000 g	2,000 g	5,000g
Linearity	± 2,000g	± 4,000g	± 10,000 g
Verifiable	no	no	no
Filters	Selectable: disabled, low, medium or high		
Units	Switchable: lb, kg		
Display	Luminosity, 6 settings, 30 mm high numeric LED for weight value bright, 1-digit, 20 mm high numeric LED for the current accumulator number 9 LEDs to display the status of the crane scale Luminosity may be adjusted in the user menu		
Housing	IP65 silver painted cast aluminium alloy galvanized hook and shackle		
Power	6V 7Ah rechargeable lead acid battery P65 approx. 300 loading cycles battery charger included: 6.5 V / 0.8		
Operating time	Max. 150 hours between charging		
Working temperature	-10 to +50 °C		
Storage temperature	-30 to +60 °C)		
Relative humidity	10 to 95%, non-condensing		
Weight (net)	40 kg		44 kg
Casing W x D x H	279 x 254 x 381 without hooks		
Battery block	Serially		
Battery charger	Serially		
Remote control	Serially	Power supply	• 2 AA alkaline batteries
		Battery change	• After approximately 6 months

KERN	HTS3T1IPM	HTS6T2IPM	HTS10T5IPM
Readability (d)	1,000 g	2,000 g	5,000 g
Weighing range (Max)	3,000 kg	6,000 kg	10,000 kg
Taring range (subtractive)	3,000 kg	6,000 kg	7,500 kg
Reproductability	1,000 g	2,000 g	5,000g
Linearity	± 2,000g	± 4,000g	± 10,000 g
Verifiable	yes	yes	yes
Verification value (e)	1,000 g	2,000 g	5,000 g
Min. charge (Min = 20 d)	20 kg	40 kg	100 kg
Accuracy category	III	III	III
Filters	Selectable: disabled, low, medium or high		
Units	Switchable: lb, kg		
Display	Luminosity, 6 settings, 30 mm high numeric LED for weight value bright, 1-digit, 20 mm high numeric LED for the current accumulator number 9 LEDs to display the status of the crane scale Luminosity may be adjusted in the user menu		
Housing	IP65 silver painted cast aluminium alloy galvanized hook and shackle		
Power	6V 7Ah rechargeable lead acid battery P65 approx. 300 loading cycles battery charger included: 6.5 V / 0.8		
Operating time	Max. 150 hours between charging		
Working temperature	-10 to +40 °C		
Storage temperature	-30 to +60 °C		
Relative humidity	10 to 95%, non-condensing		
Weight (net)	40 kg		44 kg
Casing W x D x H	279 x 254 x 381 without hooks		
Battery block	Serially		
Battery charger	Serially		
Remote control	Serially	Power supply	• 2 AA alkaline batteries
		Battery change	• After approximately 6 months

1.3 Dimensions



<i>Model</i>	<i>A (mm)</i>	<i>B (mm)</i>	<i>C (mm)</i>	<i>D (mm)</i>	<i>Internal height Eye (mm)</i>	<i>Hook Ø internal (mm)</i>	<i>Material Ø eye (mm)</i>
<i>HTS150K50IP</i>	45	30	435	480	60	37,5	16
<i>HTS300K100IP</i>	45	30	435	480	60	37,5	16
<i>HTS600K200IP</i>	45	30	435	480	60	37,5	16
<i>HTS1.5T0.5IP</i>	60	28	443	505	78	40	23
<i>HTS3T1IP</i>	90	45	735	815	140	60	28
<i>HTS6T2IP</i>	90	45	735	815	175	85	36
<i>HTS10T5IP</i>	100	67	900	1040	175	85	36