

# Lastcell SHB



5 till 500 kg

CARL LIDÉN  
  
VÅGSERVICE

# SHBxR: SPECIFICATIONS

Standard Capacities (=E <sub>max</sub> )	Kg	5 <sup>2</sup> , 10, 20, 30, 50, 100, 200, 350, 500				100 <sup>3</sup> , 200 <sup>3</sup> , 350 <sup>3</sup> , 500 <sup>3</sup>	
		C2	C3	C4	C3M16	C3M17.5	
Accuracy Class According to OIML R-60							
Max. Number of Verification Intervals (n <sub>v</sub> )		2000	3000	4000	3000	3000	
Minimum Verification Interval (V <sub>min</sub> )		E <sub>max</sub> /10000	E <sub>max</sub> /15000	E <sub>max</sub> /15000	E <sub>max</sub> /15000	E <sub>max</sub> /15000	
MDLOR (Z= E <sub>max</sub> / 2*DR)		--	--	--	6000	7500	
Accuracy According to Type Designation		CC	C2	C3	C4	C3M16	C3M17.5
Combined Error	%S	≤± 0.0500	≤± 0.0230	≤± 0.0200	≤± 0.0170	≤± 0.0200	≤± 0.0200
Non-Repeatability	%S	≤± 0.0200	≤± 0.0100	≤± 0.0100	≤± 0.0090	≤± 0.0100	≤± 0.0100
Minimum Dead Load Output Return <sup>1</sup>	%S	≤± 0.0500	≤± 0.0250	≤± 0.0167	≤± 0.0125	≤± 0.0083	≤± 0.0067
Creep Error (30 Minutes) <sup>1</sup>	%S	≤± 0.0600	≤± 0.0245	≤± 0.0245	≤± 0.0184	≤± 0.0245	≤± 0.0245
Creep Error (20-30 Minutes) <sup>1</sup>	%S	≤± 0.0200	≤± 0.0053	≤± 0.0053	≤± 0.0039	≤± 0.0053	≤± 0.0053
Temp. Effect on Min. Dead Load Output	%S/5°C	≤± 0.0250	≤± 0.0070	≤± 0.0047	≤± 0.0047	≤± 0.0047	≤± 0.0047
Temp. Effect on Sensitivity	%S/5°C	≤± 0.0250	≤± 0.0060	≤± 0.0050	≤± 0.0045	≤± 0.0050	≤± 0.0050
Minimum Dead Load	%E <sub>max</sub>	0					
Maximum Safe Over Load	%E <sub>max</sub>	150					
Ultimate Over Load	%E <sub>max</sub>	300					
Maximum Safe Side Load	%E <sub>max</sub>	100					
Deflection at E <sub>max</sub>	mm	0.30 ± 0.03					
Excitation Voltage	V	5...12					
Maximum Excitation Voltage	V	15					
Rated Output (=S)	mV/V	2					
Tolerance on Rated Output	mV/V	± 0.02					
Zero Balance	%S	≤± 1.0					
Input Resistance	Ω	460 ± 50					
Output Resistance	Ω	350 ± 3.5					
Insulation Resistance	MΩ	≥ 5000					
Compensated Temperature Range	°C	-10...+40					
Operating Temperature Range	°C	-40...+80					
Storage Temperature Range	°C	-40...+90					
Element Material (DIN)		Stainless Steel 1.4542					
Sealing (DIN 40.050 / EN60.529)		IP66 and IP68					
SC-Version (Current Calibration)		Standard					
Recommended Torque on Fixation Bolts	Nm	23 (70 for 350/500kg)					
ATEX opt. for potent. explosive atmospheres		II2G EEx ib IIC T4/T6, II2D					

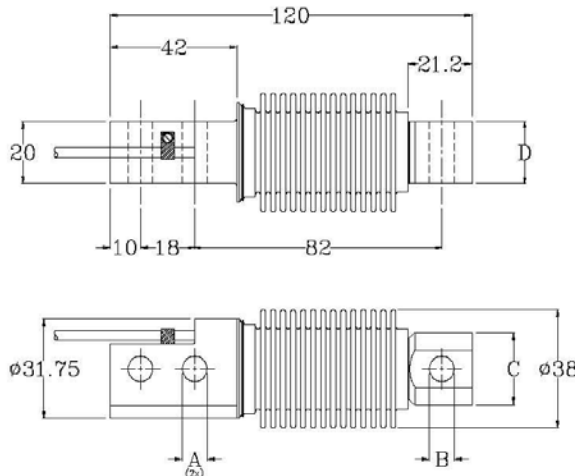
1 Applies for the temperature range -10 to +40 °C

2 CC quality only

3 D<sub>max</sub> = 0.75 \* E<sub>max</sub>

"SC-Version" The "Rated Output" and the "Output Resistance" are balanced in such a way, that the output current is calibrated within 0.05% to a reference value. This allows an easy parallel connection of load cells.

Accuracy classes C2, C3, C3M16, C3M17.5 and C4 are in agreement with the OIML recommendation R-60. Accuracy class C1 is also available. The correct mounting of the load cells is essential to ensure optimum performance. Further information is available on request.



#### Cable specifications:

Cable length: 3m  
 Excitation + Green  
 Excitation - Black  
 Output + White  
 Output - Red  
 (Sense + Yellow)  
 (Sense - Blue)  
 Shield Transparent

Cable screen is not connected to load cell body. 6-wire cable optional, 4-wire cable standard.

E <sub>max</sub>	5-200	350/500
A	8.2	10.3
B	8.2 <sup>+0.1</sup> <sub>0</sub>	10.3 <sup>+0.1</sup> <sub>0</sub>
C	23.0	24.0
D	20.0	19.0

Dimensions: mm.  
 All dimension tolerances according to ISO 2768m, unless otherwise specified.

All specifications subject to change without notice.

9/8/51/02 E